



SPARE PARTS LIST

We recommend that when you need spare parts, you should use only original parts.

When ordering spare Parts use the following:

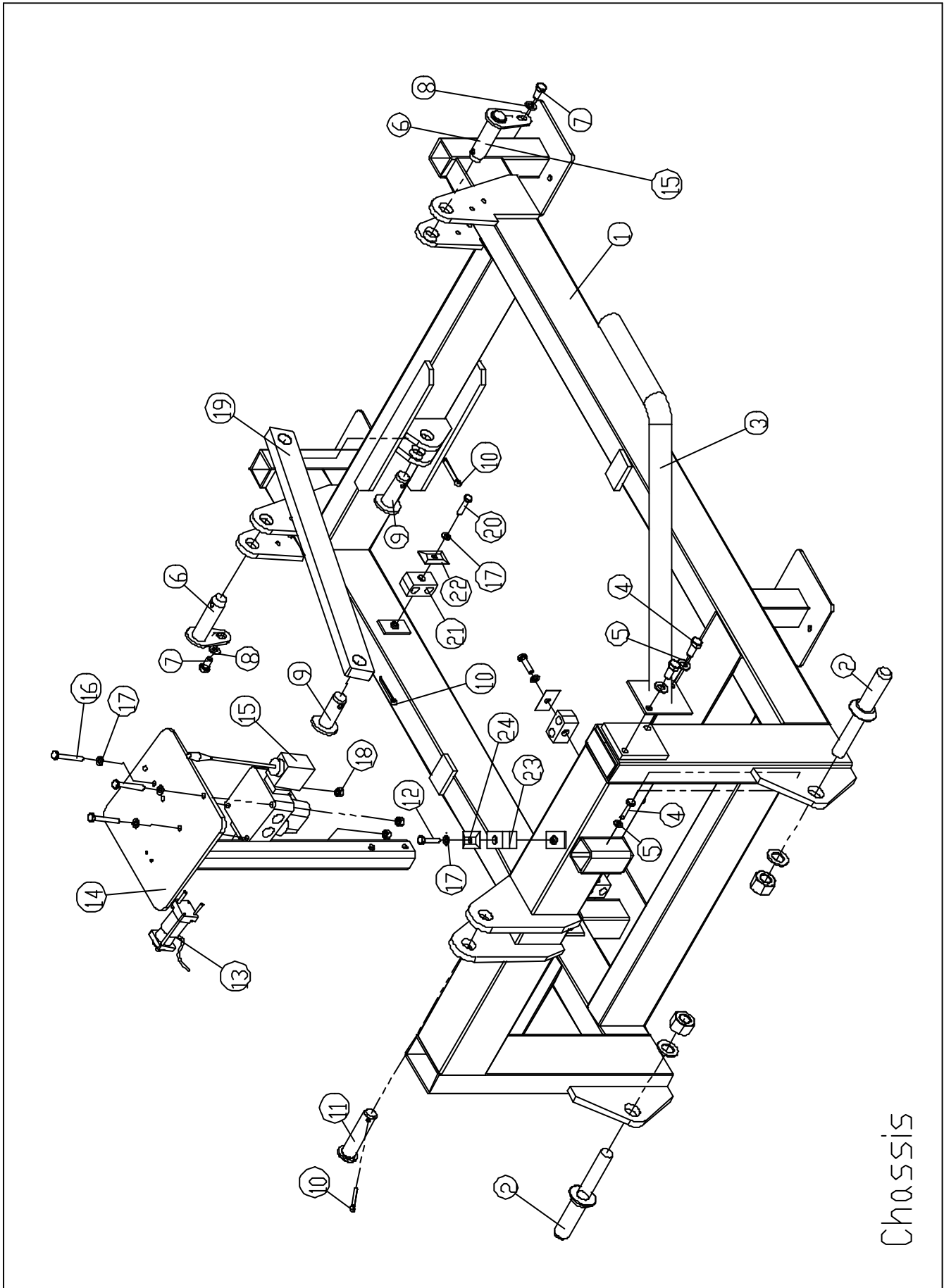
- Drawings are marked with a position number.
- On the accompanying table you will find the position number, its equivalent part number and description. The entire part number and description must always be relayed on ordering.
- **IMPORTANT!**
When ordering always give the serial number on the wrapping machine and specify the Model of Machine.
- We ask that you fax your parts order to your Tanco dealer, to ensure quick delivery



TABLE OF CONTENTS

	<u>Page:</u>
1. Chassis 404	
1.1. Chassis 404S	
1.1.1. Exploded View	3
1.1.2. Part List	4
1.2. Chassis 404M	
1.2.1. Exploded View	5
1.2.2. Part List	6
1.3. Chassis 404EH	
1.3.1. Exploded View	7
1.3.2. Part List	8
2. Loading Arm 404EH	
2.1. Exploded View	9
2.2. Part List	10
3. Tipping Frame	
3.1. Exploded View	11
3.2. Part List	12
4. Turn Table	
4.1. Exploded View	14
4.2. Part List	15
5. Rocking Roller	
5.1. Exploded View	16
5.2. Part List	17
6. Cut & Start	
6.1. Exploded View	18
6.2. Part List	19
7. Hydraulic Valve	
7.1. 404S	20
7.2. 404M	21
7.3. 404EH	22
8. Electronics	
8.1. 404S/M	23
8.2. 404EH	24

1.1.1. Chassis 404S Exploded View

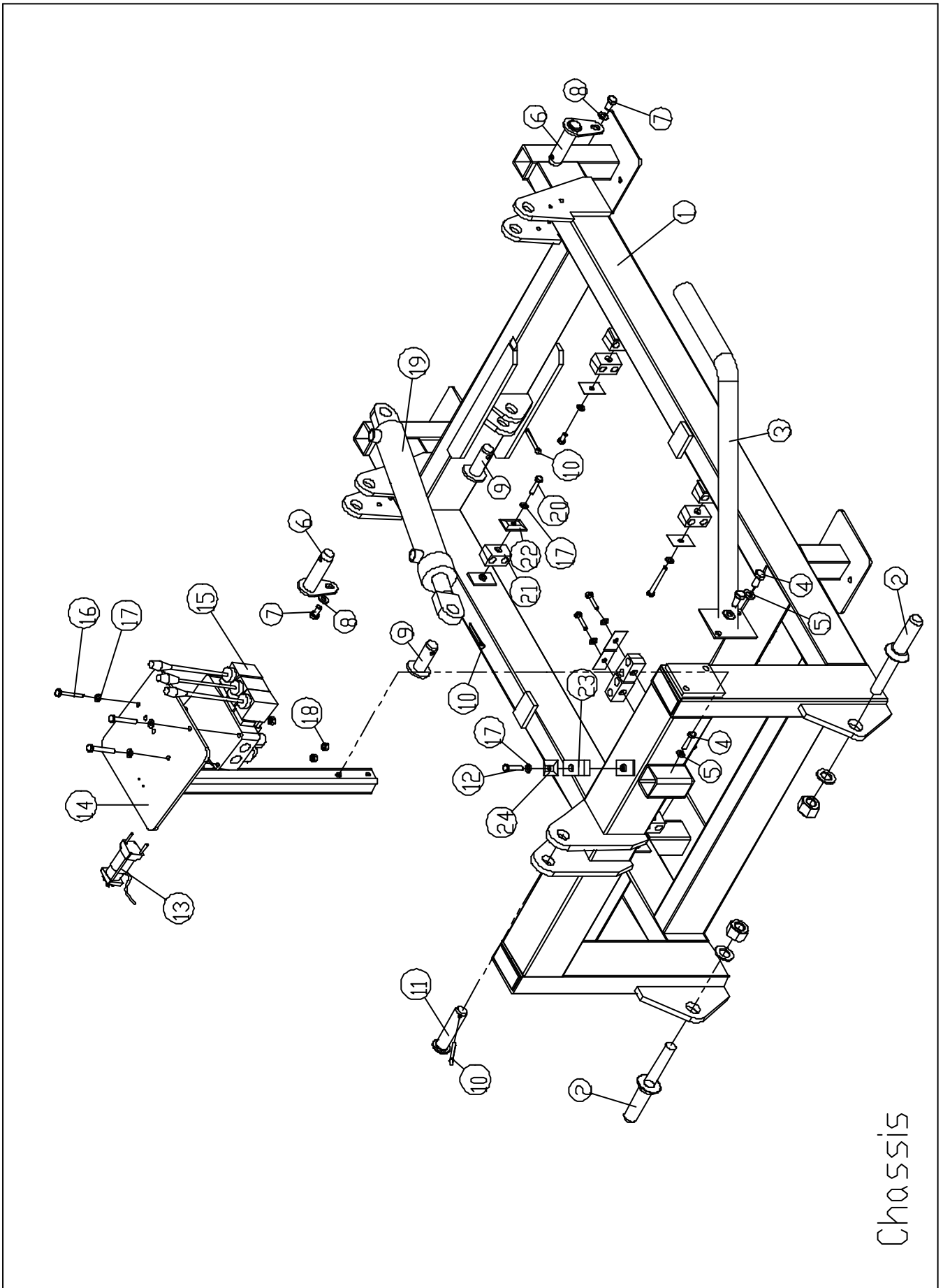




1.1.2. Part List

ITEM NO.	QTY.	PART NO.	DESCRIPTION
1	1	34611474	Main Frame
2	2	34105716	Bolt (KAT 1-2) (c/w Nut and spring Washer)
3	1	34851264	Safety Arm
4	2	9004532	Bolt (M12 x 16)
5	2	34302123	Washer (M12)
6	2	1001201	Pivot Pin
7	2	34119057	Bolt (M10 x 16)
8	2	34302122	Washer (M10)
9	2	1001202	Tipping Cylinder Pin
10	3	34200201	7/66" Lynch Pin
11	1	34105635	Top Link Pin
12	1	Z26-0425	Bolt (M8 x 40)
13	1	1008002	Auto Stop Kit
14	1	34670169	Valve Chest Frame
15	1	1008001	Valve Chest
16	3	34110113	Bolt (M8 x 60)
17	7	34302121	Washer (M8)
18	3	34230500	Nut, lock (M8)
19	1	1001210	locking Stay 404S
20	5	34110001	Bolt (M8 x 35)
21	5	3426010	Plastic Pipe Clamp
22	5	34260167	Pipe Clamp Top
23	1	34260209	1/2" Pipe Clamp
24	1	34260117	1/2" pipe Clamp Top

1.2.1. Chassis 404M Exploded View

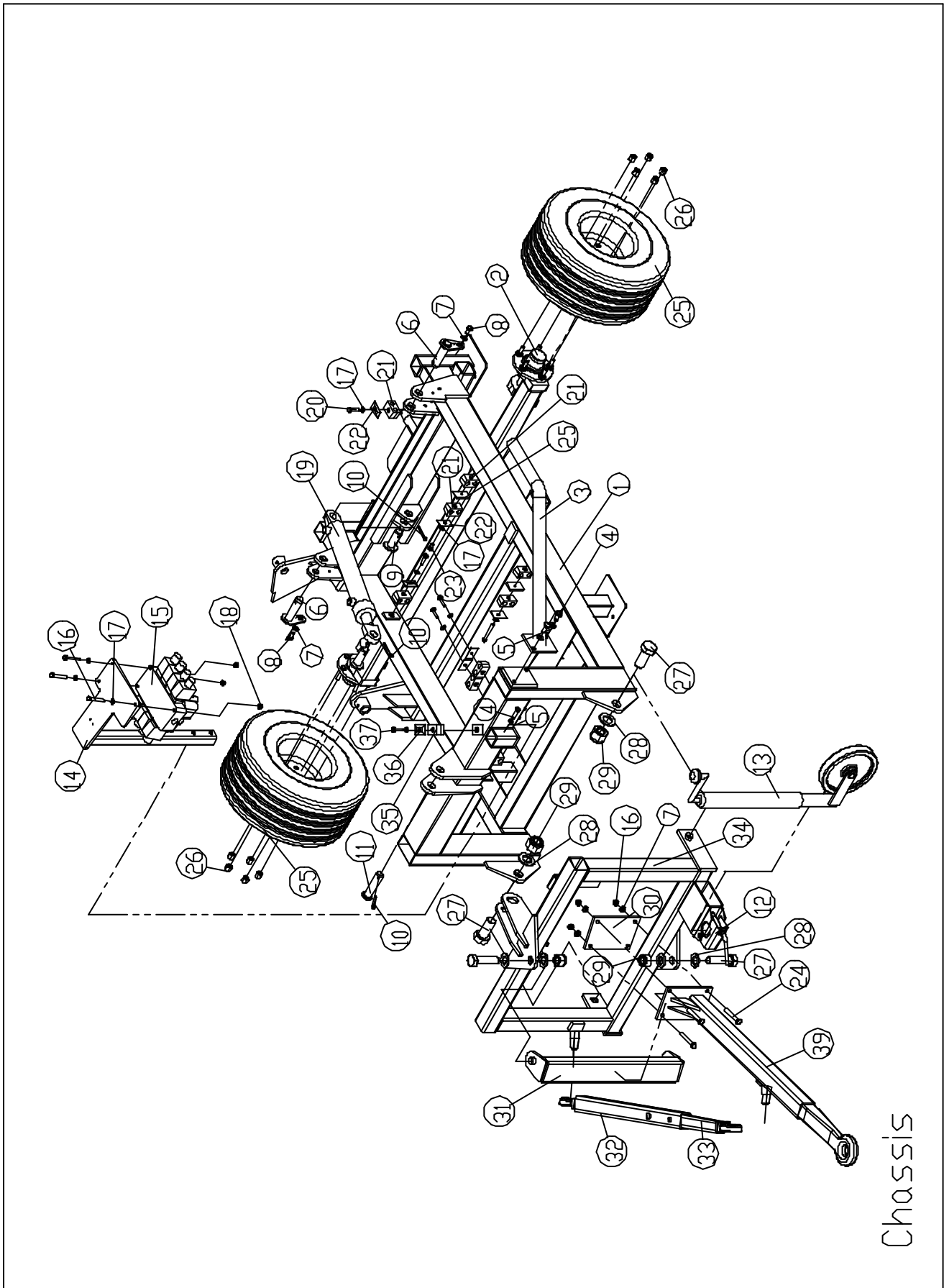




1.2.2. Part List

ITEM NO.	QTY.	PART NO.	DESCRIPTION
1	1	34611474	Main Frame
2	2	34105716	Bolt (KAT 1-2) (c/w nut a spring washer)
3	1	34851264	Safety Arm
4	2	9004532	Bolt (M12 x 16)
5	2	34302123	Washer (M12)
6	2	10012021	Pivot Pin
7	2	34119057	Bolt (M10 x 16)
8	2	34302106	Washer (M6)
9	2	1001202	Tipping Cylinder Pin 404
10	3	34200210	7/16" Lynch Pin
11	1	34105635	Top Link Pin (24 x 100 x 6,3)
12	1	Z26-0425	Bolt (M8 x 40)
13	1	1008002	Auto Stop Kit
14	1	34670169	Valve Chest Frame
15	1	1008400	Valve Chest
16	3	34110113	Bolt (M8 x 60)
17	9	34302121	Washer (M8)
18	3	34230500	Nut, lock (M8)
19	1	34001131	Cylinder
20	6	34110001	Bolt (M8 x 35)
21	10	34260910	Plastic Pipe Clamp
22	10	34260167	Pipe Clamp Top
23	1	34260209	Plastic Pipe Clamp (1/2")
24	1	34260117	Pipe Clamp Top (1/2")

1.3.1. Chassis 404EH Exploded View

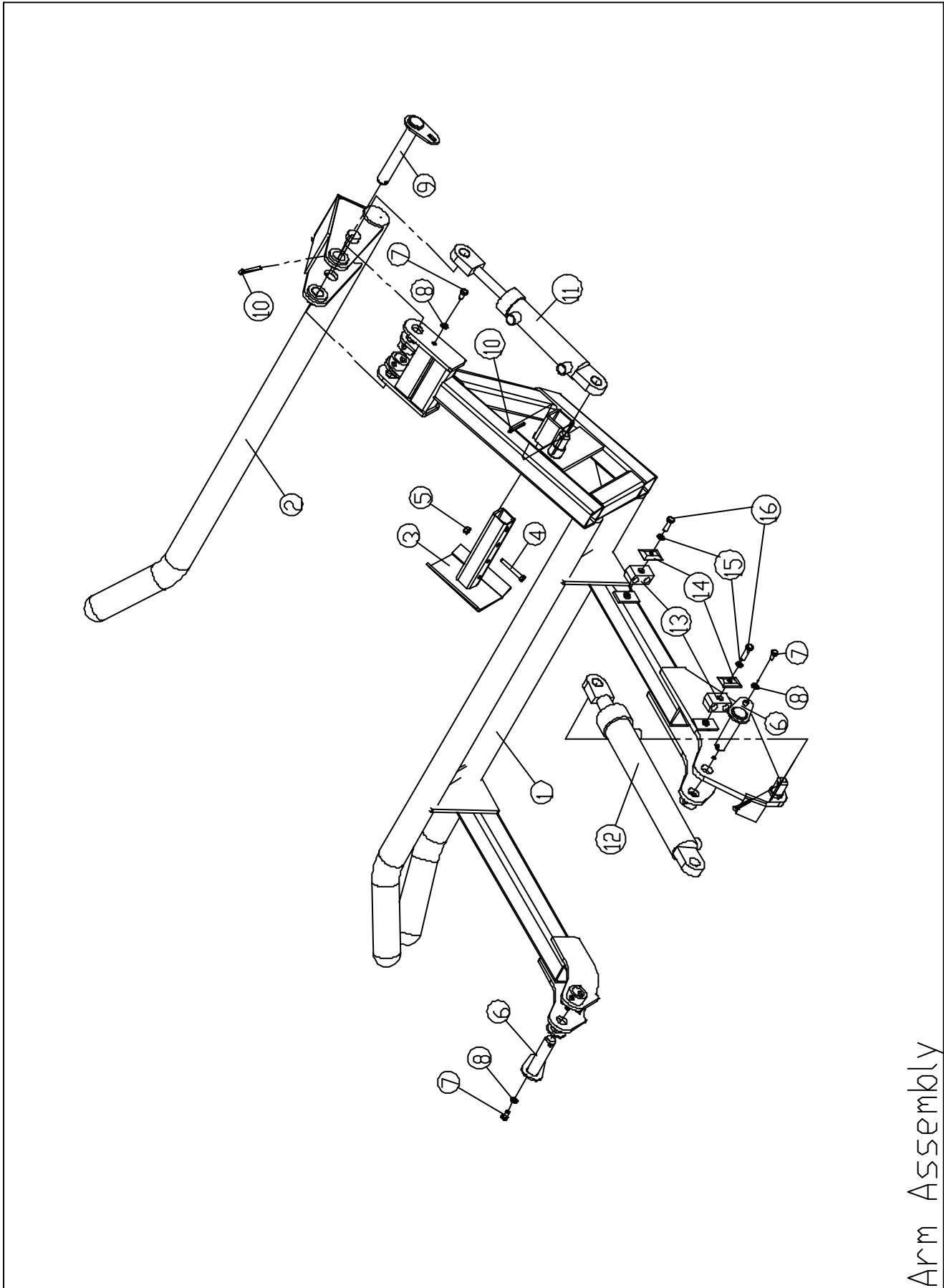




1.3.2. EH Chassis Parts Lists

ITEM NO.	QTY.	PART NO.	DESCRIPTION
1	1	34611474	Main Frame
2	2	34710128	Axle
3	1	34851264	Safety Arm
4	2	9004532	Bolt (M12 x 16)
5	2	34302123	Washer (M12)
6	2	1001201	Pivot Pin 404
7	2	34119057	Bolt (M10 x 16)
8	4	34302122	Washer (M10)
9	2	1001202	Tip Cylinder Pin
10	3	1305033	Split Pin (6,3 x 50)
11	1	34105635	Celvis Pin (24 x 100 x 6,3)
12	1	34670185	Jack Clamp
13	1	34670184	Jack
14	1	34670169	Valve Chest Frame
15	1	1008600	Valve Chest
16	4	34230900	Nut (M10)
17	12	34302121	Washer (M8)
18	3	34230500	Nut, lock (M8)
19	1	34001131	Cylinder, tip
20	5	Z34110001	Bolt (M8 x 35) - Z26 - 042S
21	9	34260110	Plastic Pipe Clamp
22	9	34260167	Pipe Clamp, top
23	5	34110005	Bolt (M8 x 65)
24	4	34110019	Bolt (M10 x 80)
25	2	34710127	Tyres, c/w hub.
26	10	34611508	404 Wheel Nut
27	2	34115000	Bolt (M24 x 60)
28	4	34302127	Washer (M24)
29	2	34233800	Nut (M24)
30	1	21906283	Clamping Plate
31	1	34611506	Swivel Bar
32	1	34611509	Stay Outer
33	1	34611504	Stay Inner
34	1	34611505	3.P.L. Adapter
35	1	34260209	Plastic Pipe Clamp (1/2")
36	1	34260117	Pipe Clamp Top (1/2")
37	1	Z26-0425	Bolt (M8 x 40)

2.1. Loading arm 404EH Exploded View



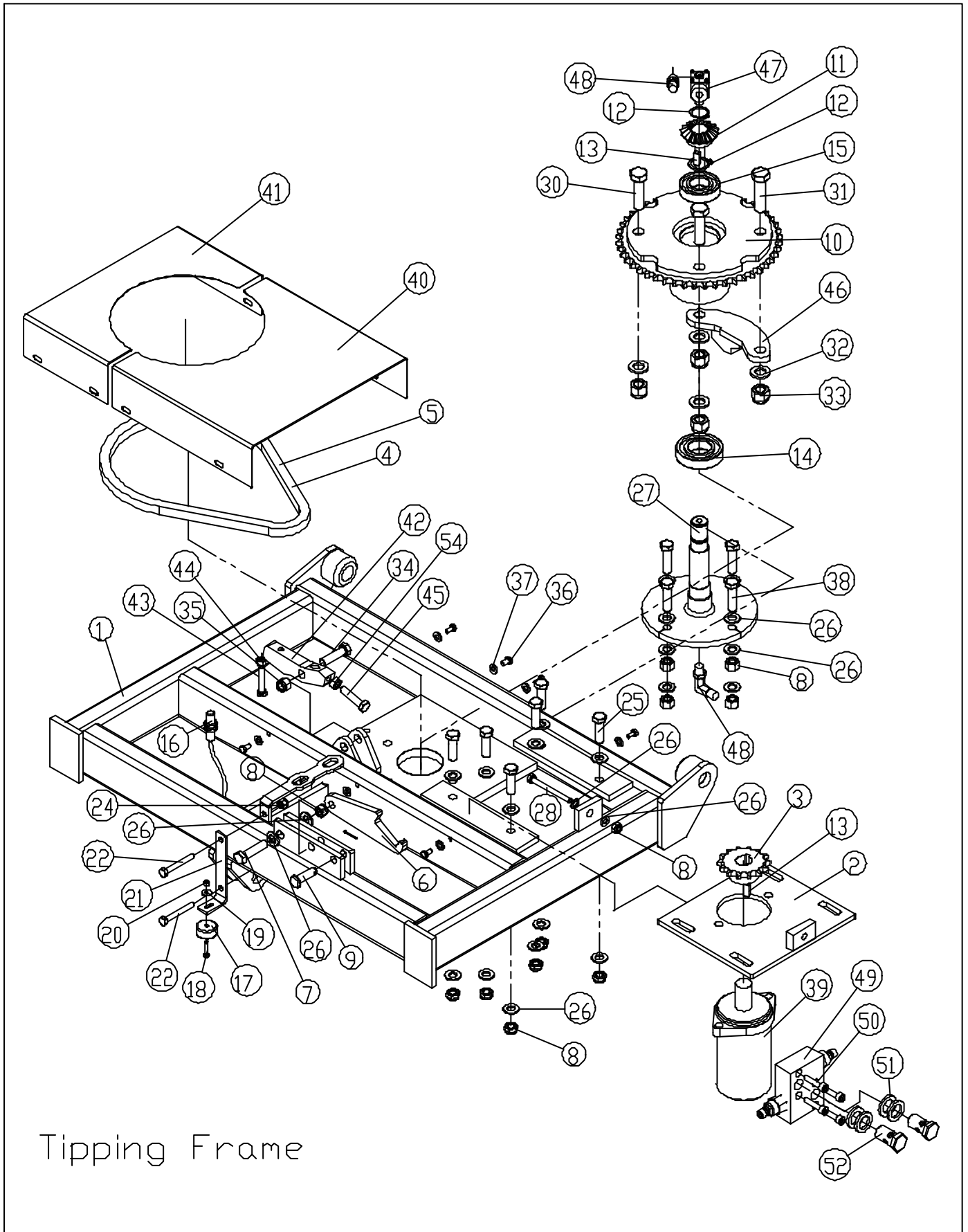
Arm Assembly



2.2. Loading arm Parts List

ITEM NO.	QTY.	PART NO.	DESCRIPTION
1	1	34611499	Loading Arm
2	1	34611498	Squeeze Arm
3	1	34611500	Bale stop
4	1	34110100	Bolt (M8 x 60)
5	1	34230400	Nut (M8)
6	2	1001201	Pivot Pin 404
7	3	34119057	Bolt (M10 x 16)
8	3	34302122	Washer (M10)
9	1	34001102	Pin Squeeze Arm
10	2	1305033	Split Pin (6,3 x 50)
11	1	34001102	Cylinder Squeeze Arm
12	1	3401449	Cylinder Loading Arm
13	2	34260110	Plastic Pipe Clamp
14	2	34260167	pipe Clamp Top
15	2	34302121	Washer (M8)
16	2	34112700	Bolt (M8 x 30)

3.1. Tipping Frame Exploded View





3.2. Tipping Frame Parts List

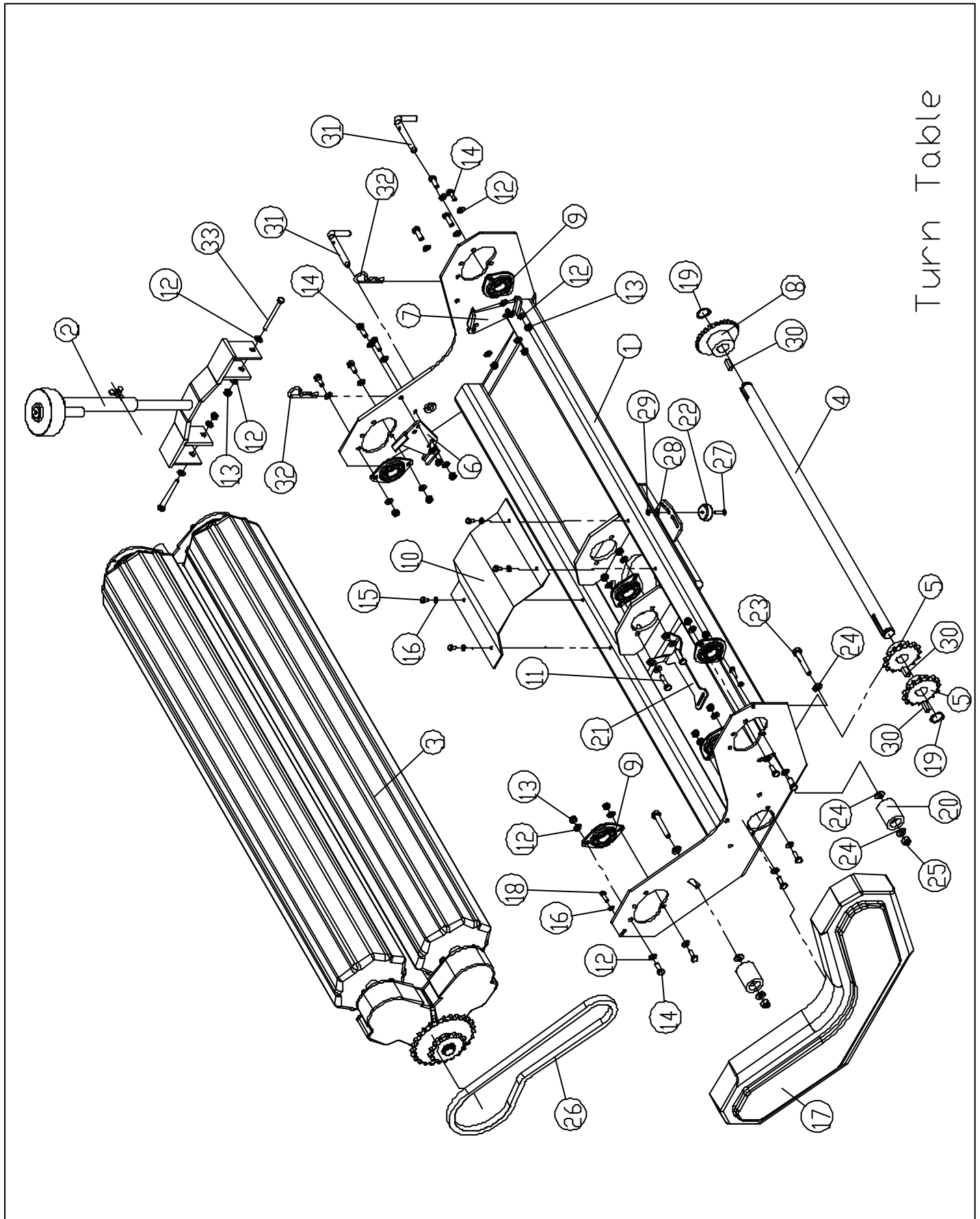
ITEM NO.	QTY.	PART NO.	DESCRIPTION
1	1	34611522	Tip Frame
2	1	3467164	Motor mounting plate
3	1	34810802	Chain Wheel (5/8" 14t dia 25)
4	1	34810304	Chain Lock (5/8")
5	1	34811247	Chain (5/8" 57 LED 920)
6	1	34491072	Transport Lock
7	1	3411027	Bolt (M12 x 50)
8	13	34231300	Nut, lock (M12)
9	1	34190001	Lynch Pin (9,5mm)
10	1	34710124	Centre Sprocket (5/8" 48t)
11	1	34830113	pinion Drive (2:1 M3)
12	2	34240708	Locking Ring (A30)
13	2	1003007	Key (8 x 8 x 23)
14	1	34320509	Track ball bearing (6207 2RS)
15	1	34320508	Track ball bearing (6206 2RS)
16	1	1009001	Sensor RDS
*16a	1	1009001	Sensor RDS
*17	1	1309201	Magnet
*18	1	9004151	Bolt (M5 x 25)
*19	1	9003002	Washer (M5)
*20	1	9001002	Nut (M5)
*21	1	1002101	Table down Magnet Mount
*22	2	9004311	Screw (M8 x 65)
*23	2	34230500	Nut (M8)
24	1	3422030900	Nut (M10)
25	6	34115800	Bolt (M12 x 40)
26	18	34302123	Washer (M12)
27	1	34130262	Turntable Spindle
28	1	34119000	Bolt (M10 x 70)
29	1	34061953	Albow 90deg adjustable
30	2	34118800	Bolt (M16 x 55)
31	2	34118400	Bolt (M16 x 70)
32	8	34302125	Washer (M16)
33	4	34232100	Nut, lock (M16)
34	1	34110078	Bolt (M14 x 60)
35	1	34231700	Nut, lock (M14)
36	8	34110092	Bolt (M6 x 12)
37	8	34302120	Washer (M6)



38	4	34110500	Bolt (M12 x 45)
39	1	34090124	Hydraulic Motor (160cm ³ .)
40	1	34851261	Cover Motor
41	1	34851258	Cover middle
42	1	34380529	Wedge
43	1	34110002	Bolt (M8 x 40)
44	1	34230500	Nut (M8)
45	1	9004408	Bolt (M10 x 45)
46	1	34670166	Turntable Stop
47	1	34770031	Hydr. Swivel - Rotary Coupling
48	1	34061803	Fitting (1/4" - 1/4")
49	1	34083900	Valve Block (VA-E06/E-2-FS, kpl. 99 -)
50	4	34119077	Bolt Socket Head (M8 x 35)
51	4	34041800	1/2" Dowty Washer
52	2	34061936	Fitting (1/2" BSP)

* - Indicates EH component only

4.1. Turn Table Exploded View

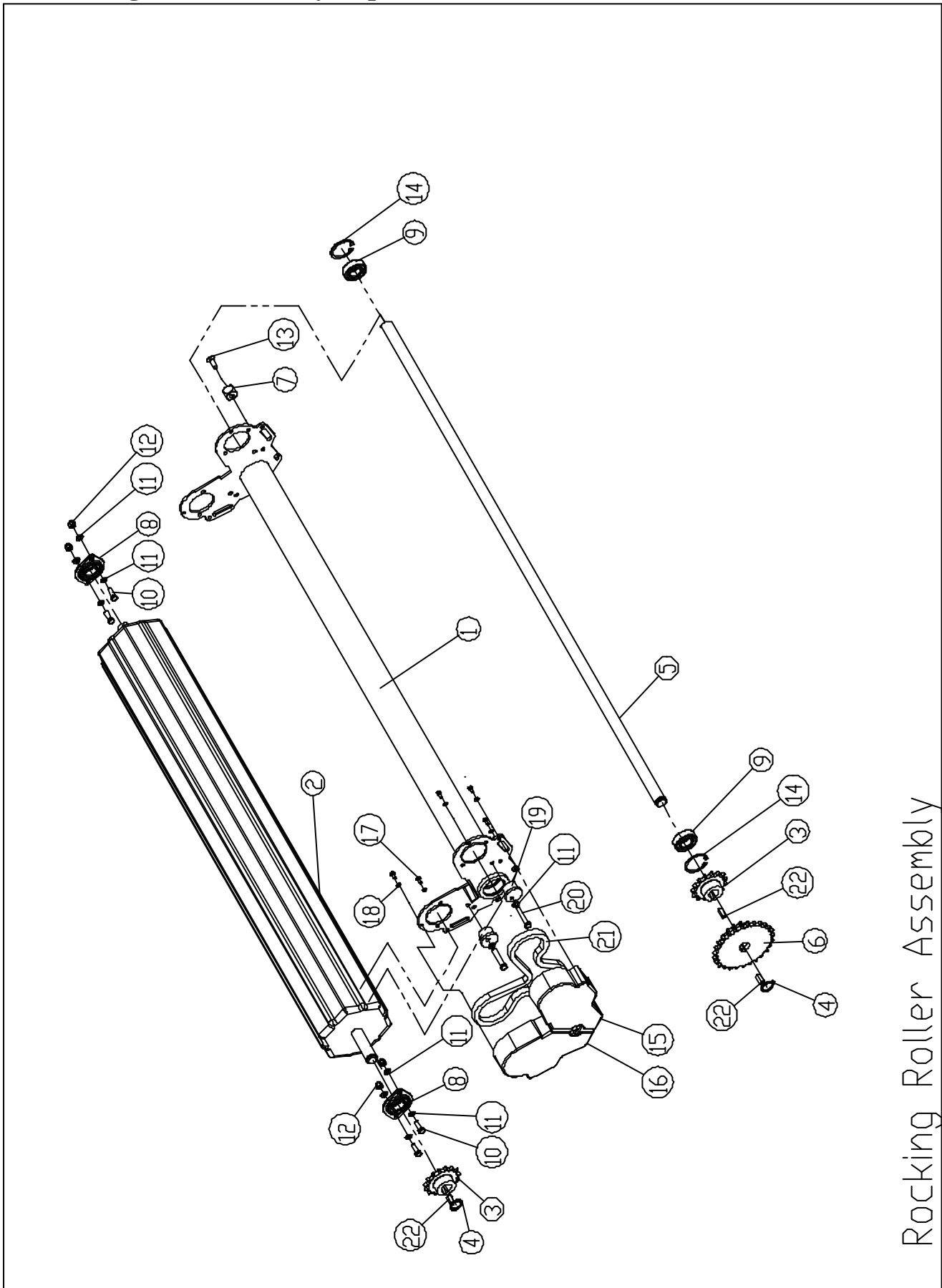




4.2. Turntable Parts List

ITEM NO.	QTY.	PART NO.	DESCRIPTION
1	1	34611477	Turntable frame
2	2	34340137	Support roller complete
3	2		Rocking Rollers Complete
4	1	34130254	Shaft
5	2	34810040	Sprocket - 1/2" - 15t
6	1	34702515	Limit stop plate, right
7	1	34702516	Limit stop plate, left
8	1	34710124	Bevel gear
9	6	34321243	Bearing Complete
10	1	34851262	Cover, center wheel
11	4	34112700	Bolt (M 8 x 30)
12	92	34302121	Washer (M 8)
13	46	34230500	Nut, lock (M 8)
14	26	34116900	Bolt (M 8 x 20)
15	12	34110092	Bolt (M6 x 10)
16	10	34302120	Washer (M6)
17	1	1003004	Large plastic cover 404
18	2	9004215	Bolt (M6 x 20)
19	2	1305017	Circlip (25 x 1,2)
20	2	34810848	Chain Tensioner
21	1	1003005	Load Posn. Magnet mount
22	2	1309201	Magnet
23	2	34110018	Bolt (M10 x 60)
24	6	34302122	Washer (M10)
25	2	342030900	Nut, lock (M10)
26	2	34811244	Chain (1/2" 55 LED 698,5)
27	2	9004151	Bolt (M5 x 25)
28	2	9003002	Washer (M5)
29	2	9001002	Nut (M5)
30	3	1003007	Key (8 x 8 x 23)
31	2	34105747	Bissel Pin
32	2	34200202	R-Clip (4,5mm)
33	2	34110007	Bolt (M8 x 80)

5.1. Rocking Roller assembly Exploded View



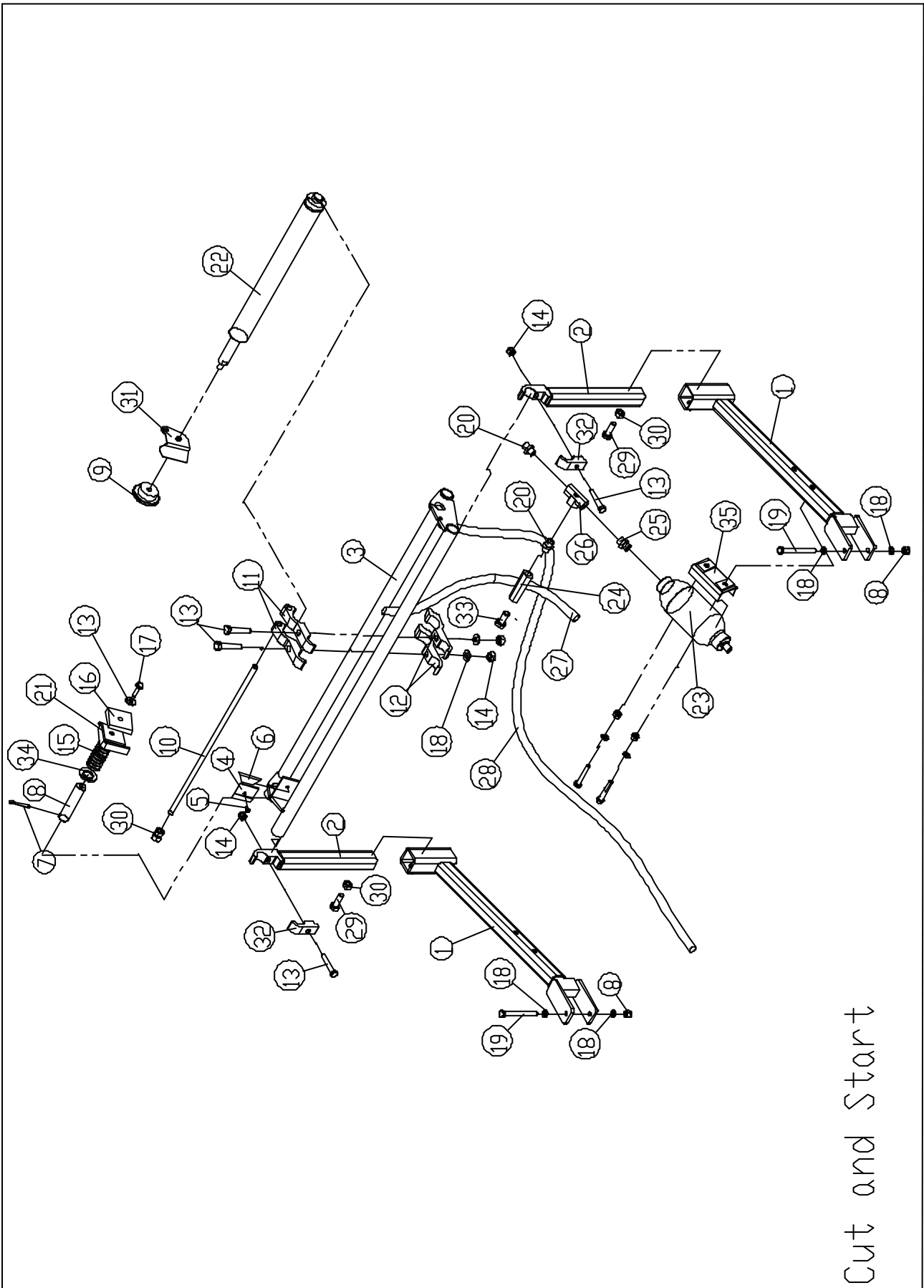
Rocking Roller Assembly



5.2. Parts List

ITEM NO.	QTY.	PART NO.	DESCRIPTION
1	2	34611476	Roller Frame
2	4	1003001	Plastic Roller 404
3	8	34810040	Sprocket - 1/2" - 15t
4	6	1305017	Circlip (25 x 1,2)
5	2	34130255	Support Shaft
6	2	34810045	Sprocket - 1/2" 19t
6a*	2	34810041	Sprocket - 1/2" - 27t/15t
7	2	34702514	Limit Stop Block
8	8	34321243	Bearing complete
9	4	34321243	Bearing
10	26	34116900	Bolt (M8 x 20)
11	92	34302121	Washer (M8)
12	46	34230500	Nut, lock (M8)
13	2	34110003	Bolt (M8 x 45)
14	4	34240728	Circlip Inside (I52)
15	2	1003002	Small Plastic Cover RHS
16	2	1003003	Small Plastic Cover LHS
17	12	9004215	Bolt (M6 x 20)
18	12	34302120	Washer (M6)
19	4	34810847	Chain Tensioner
20	4	9004308	Bolt (M8 x 50)
21	2	34811245	Chain (1/2" 61 LED 774,7)
22	6	1003007	Key (8 x 8 x 23)
*optional			

6.1. Cut & Start Exploded View



Cut and Start

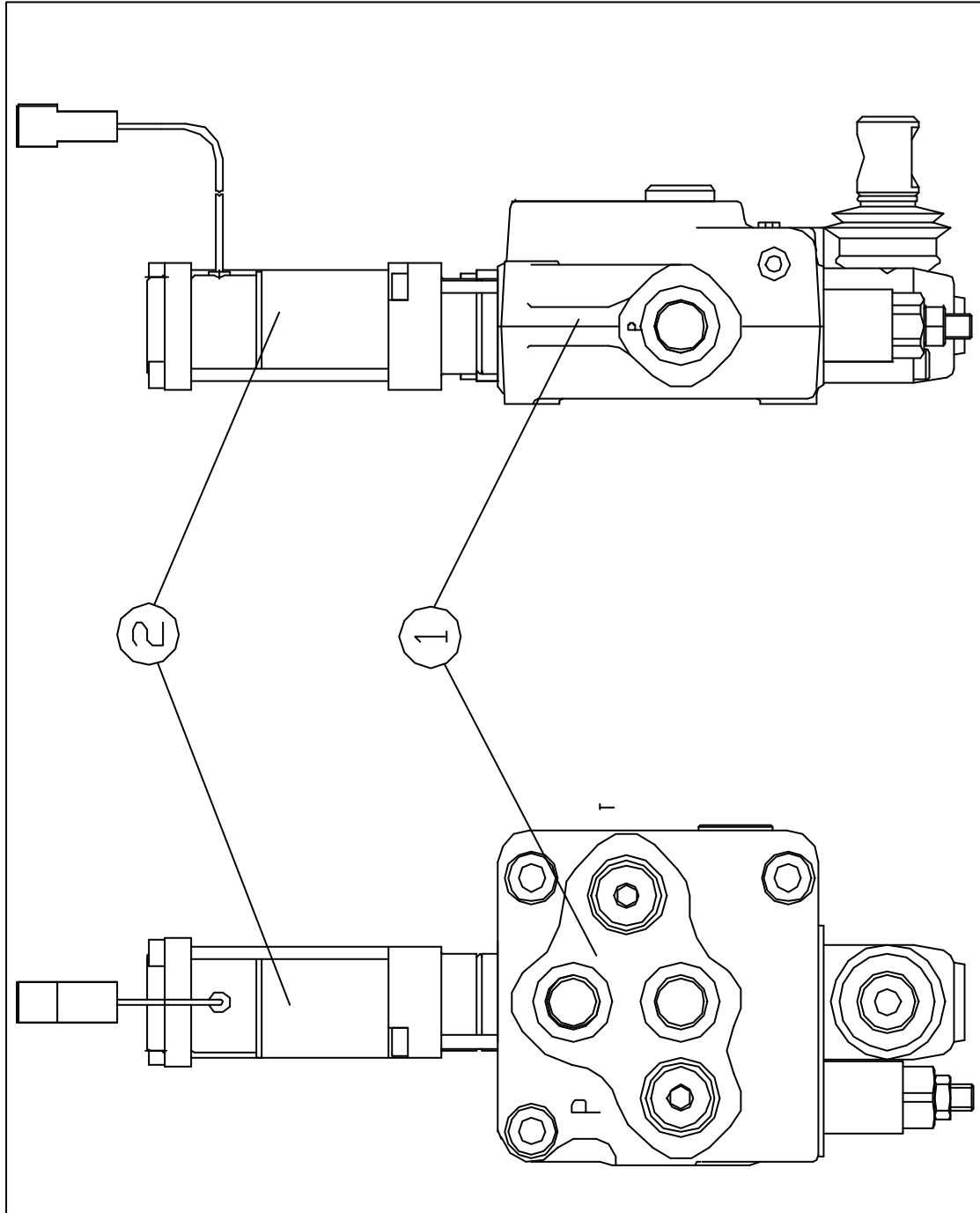


6.2. Part List

ITEM NO.	QTY.	PART NO.	DESCRIPTION
	1	35100327	Cut & Start complete
1	2	34920614	Knife Holder
2	2	34920615	Grip Span Stay
3	1	34920616	Cutter Frame
4	1	34260126	Blade Clamp
5	1	34119074	Bolt (M5 x 20)
6	1	34911038	Cutter Blade
7	1	34220701	Split Pin (5 x 32)
8	1	34131192	Shaft f / Bolster
9	1	34380527	Pressure Bolster
10	1	34851266	Round
11	2	34260127	Clamp
12	2	34260129	Clamp
13	4	34110100	Bolt (M8 x 6)
14	8	34230500	Nut, lock (M8)
15	1	34431534	Pressure Spring
16	1	34420004	Rubber Strip
17	3	34110000	Bolt (M8 x 25)
18	13	34302121	Washer (M8)
19	2	34110200	Bolt (M8 x 75)
20	2	34061803	Fitting (1/4" - 1/4")
21	1	3426128	Buffer
22	1	34001484	Cylinder 2000 -> BS34001484
23	1	3461963	Accumulator TY.1200
24	1	34085100	Non-Return-Valve (1/4" innv.)
25	1	34061964	Fitting (M18 x 1.5 - 1/4")
26	1	34061965	T - Piece (1/4" - 1/4" - 1/4")
27	1	34051834	Hose (1/4" x 460)
28	1	34057035	Hose (1/4" x 1600)
29	2	34110025	Bolt (M12 x 25)
30	4	9002061	Nut (M12)
31	1	34851267	Holder
32	2	34260130	Knife Clamp, loose
33	1	Z01-06-MB04	Plug (1/4" Male)
34	1	9003205	Washer (M20)
35	1	1003500	Accumulator Holder

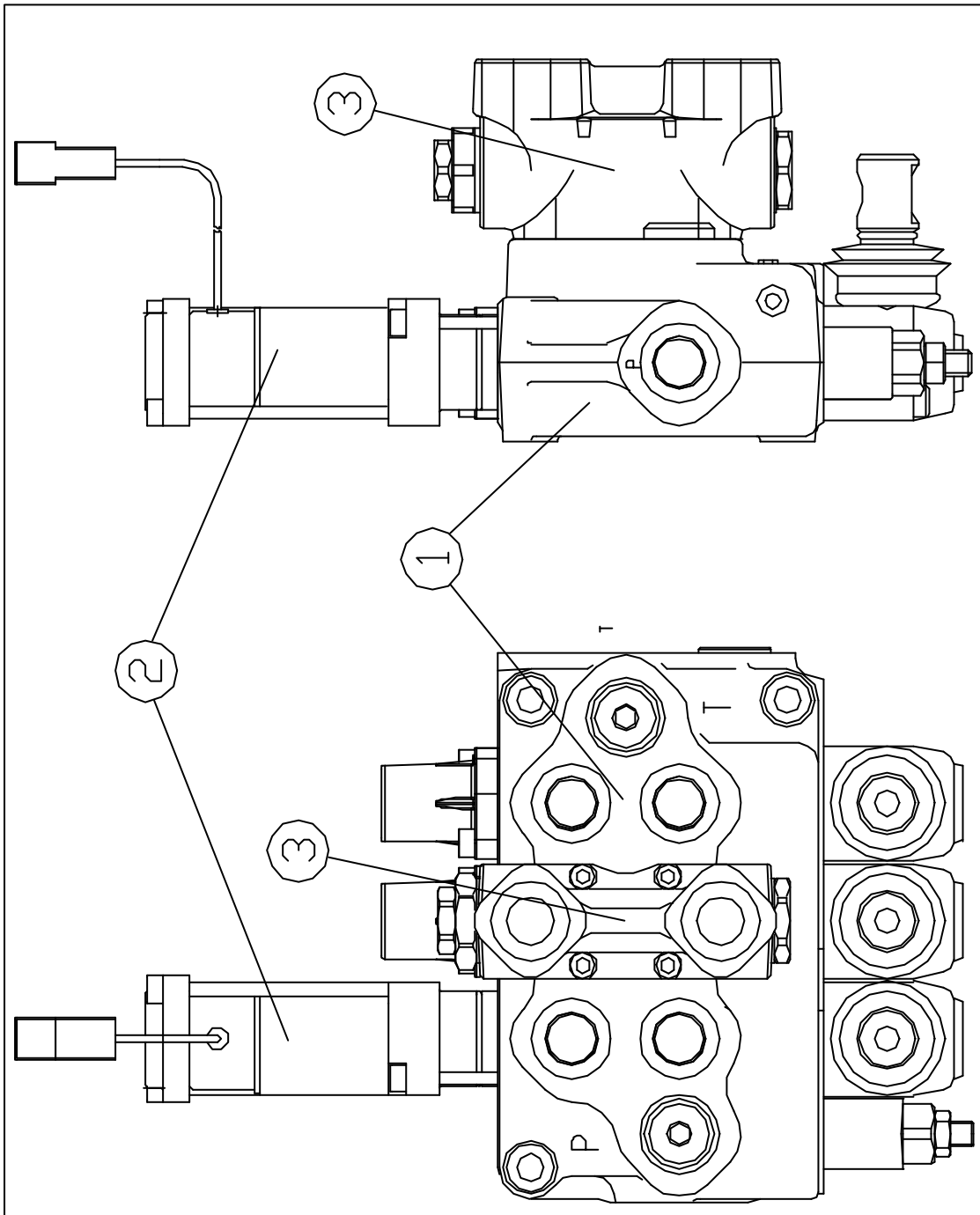
7. Hydraulic Valve 404

7.1. 404S



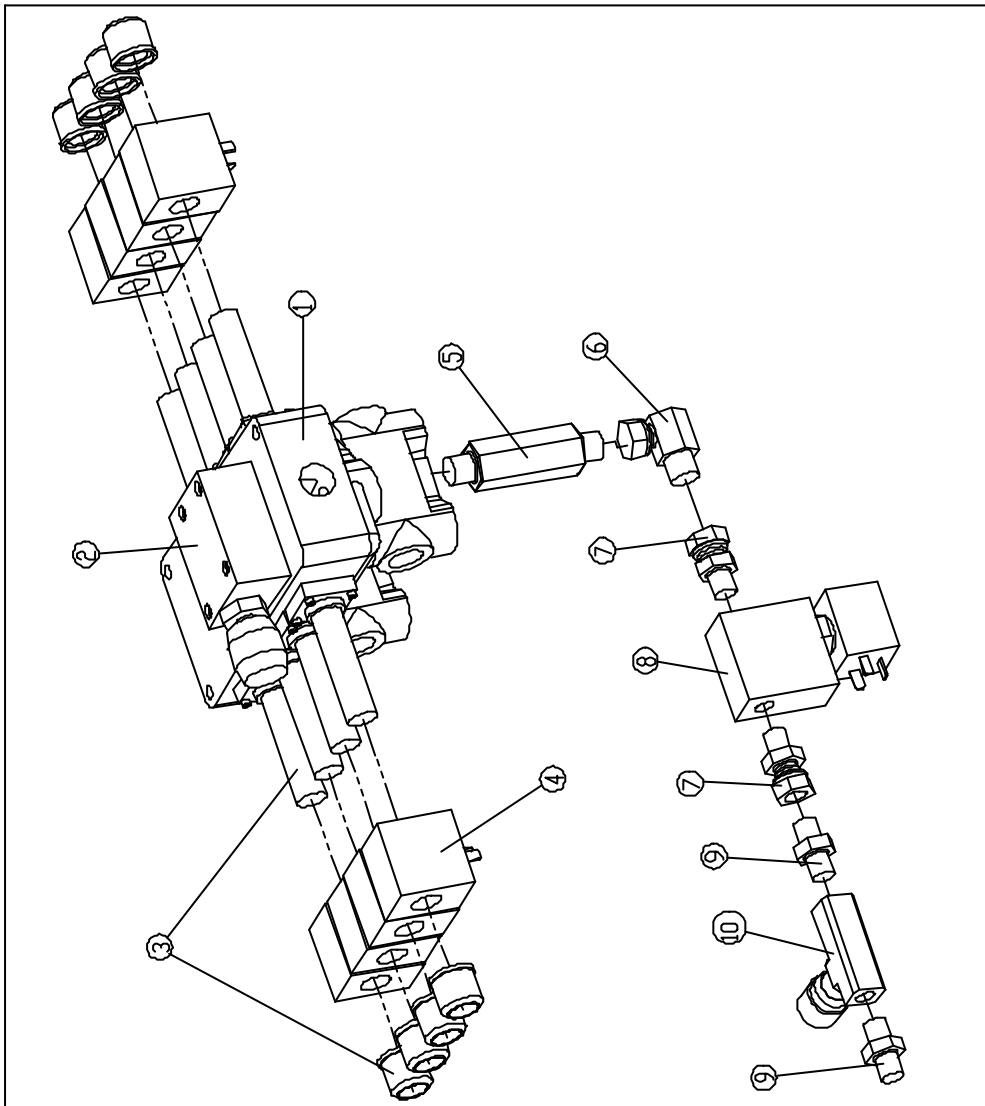
ITEM NO.	QTY.	PART NO.	DESCRIPTION
1	1	1008001	Single Bank 50S Valve compl.
2	1	1008002	Autostop Kit

7.2. 404M



ITEM NO.	QTY.	PART NO.	DESCRIPTION
1	1	1008400	3 Bank SD 5 valve compl.
2	1	1008401	Check Valve compl.
3	1	1008002	Autostop Kit

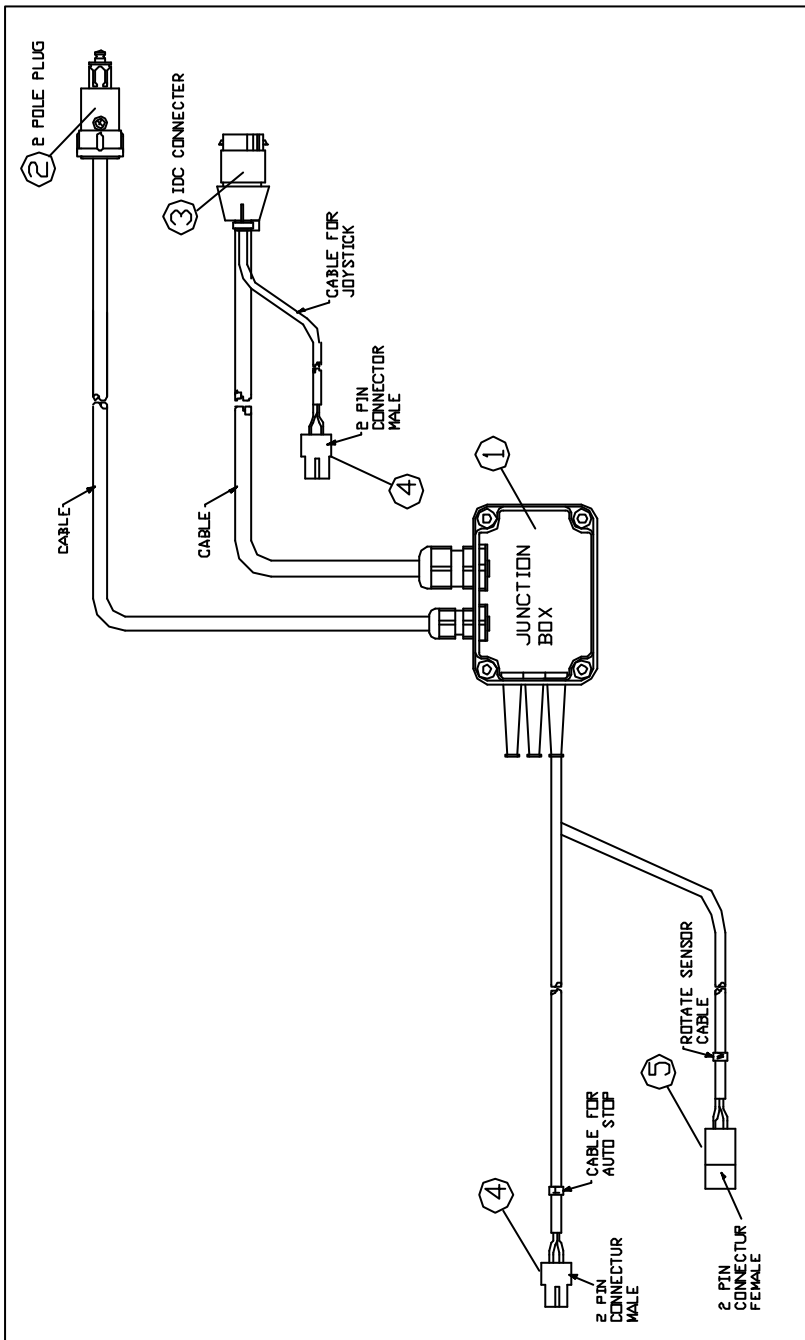
7.3. 404EH



ITEM NO.	QTY.	PART NO.	DESCRIPTION
	1	0103-A404EH	Complete Valve
1	1	0103-A404EH	Valve Body- empty
2	1	Z10-03-AC	Flow regulator Valve
3	8	Z01-03-A404VS	Spool
4	8	Z01-03-A404VC	Coil
5	1	Z01-06-06L	Long body Adapter (3/8" - 3/8" M/M)
6	1	Z01-14015	90deg Elbow (M/F 3/8"-3/8")
7	1	Z01-05-06-06	Fitting (3/8" - 3/8" M/F)
8	1	34087513	2-Speed Valve
9	2	Z01-06-06-06	Fitting (3/8" - 3/8" M/M)
10	1	Z01-03-1046	Flow control regulat or

8. Junction box

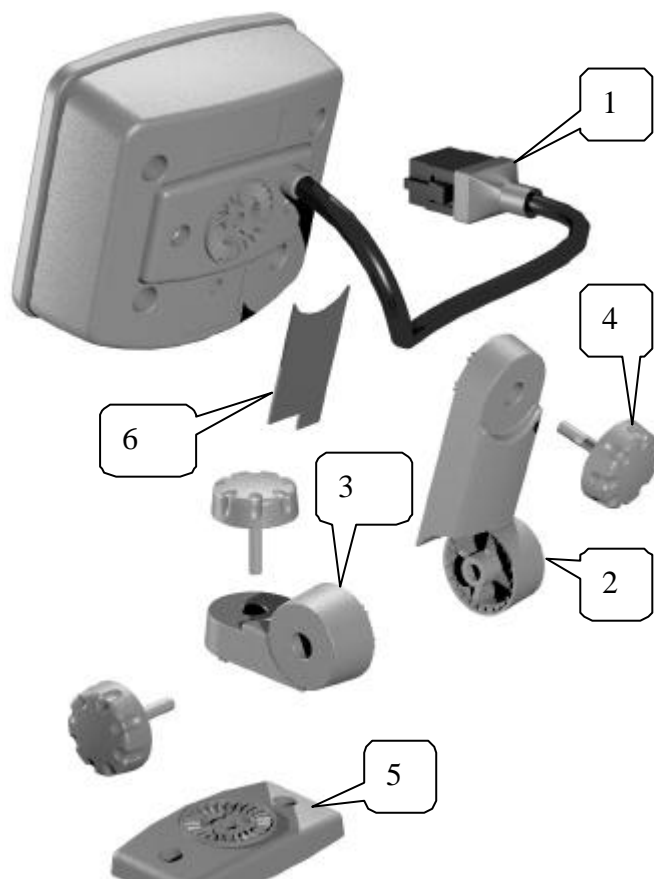
8.1. 404S/M



ITEM NO.	QTY.	PART NO.	DESCRIPTION
1	1	1009207	Junction Box Complete
2	1	D606R-PC	Power Connector
3	1	1009209	Connector(Square) Socket
4	2	1309010	2 Pin Connector Male
5	2	1309009	2 Pin Connector Female

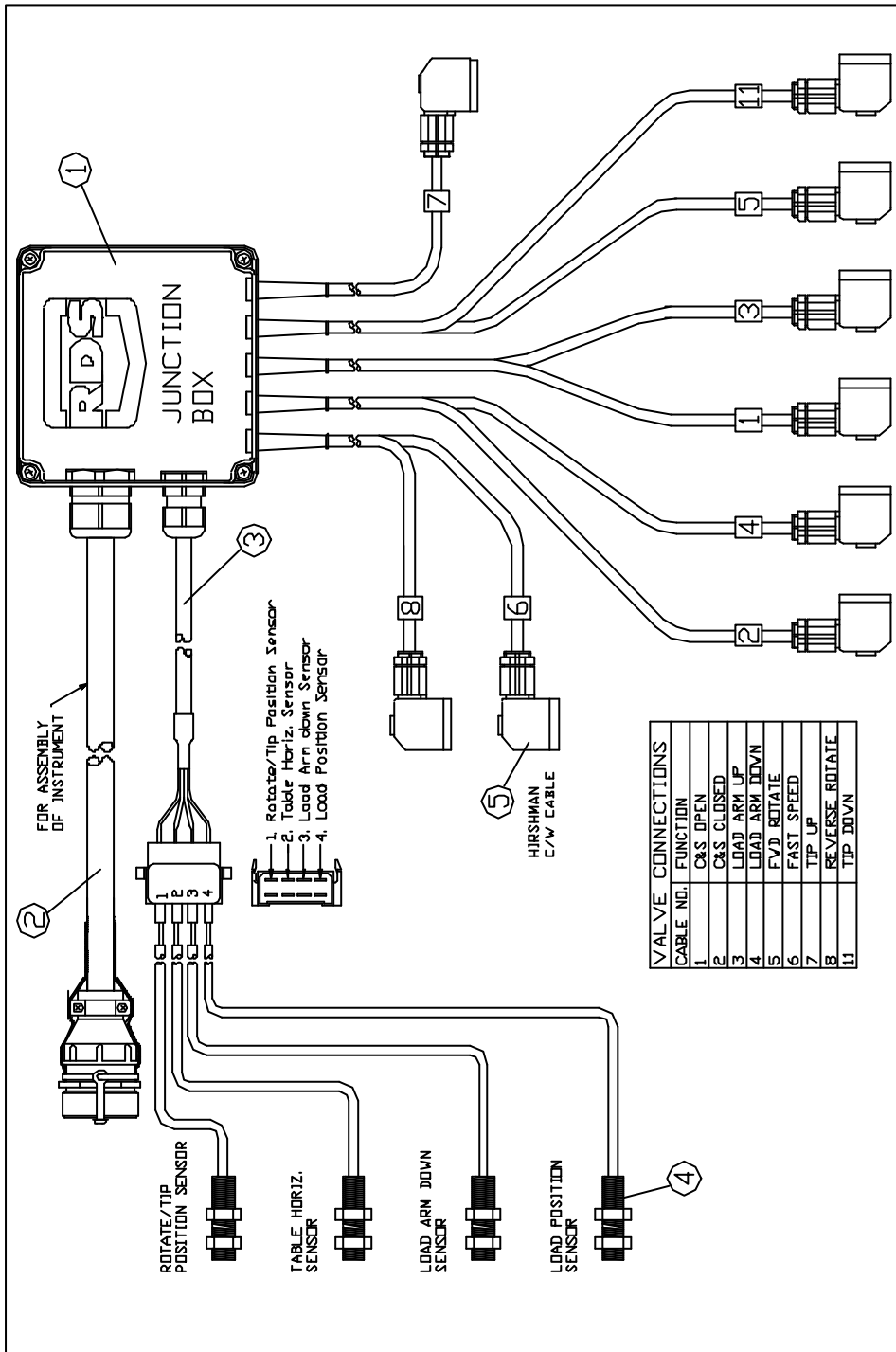


404 M / S -RDS Bale Wrap Counter



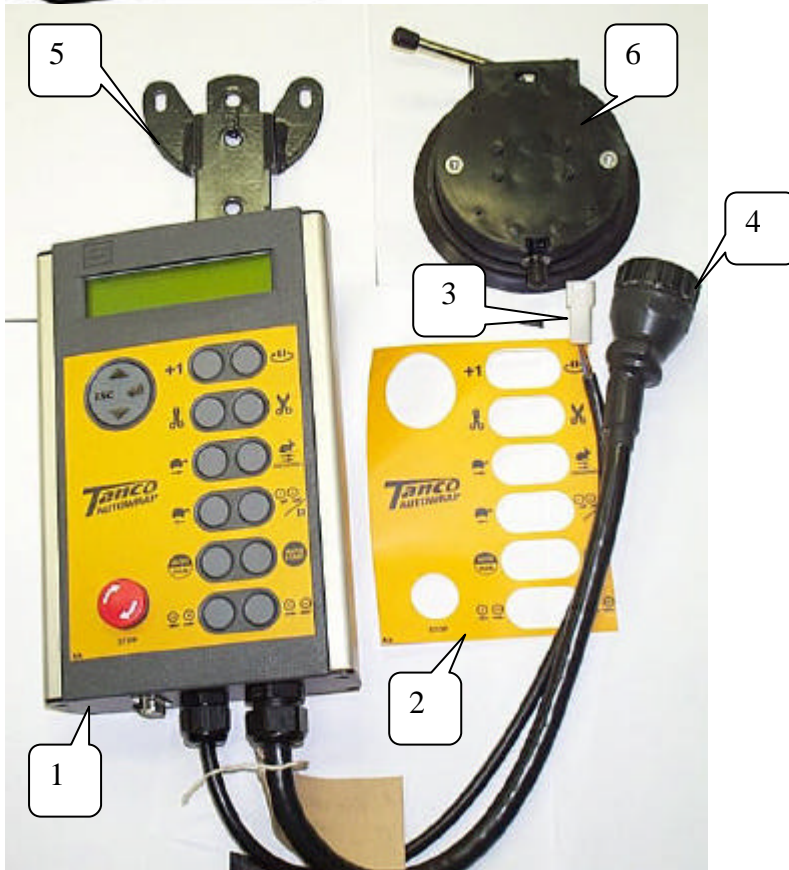
Item	Part No.	Qty.	Description
	1009200		RDS BWC
1	1009201	1	Square MultiPin Male Plug
2	1009202	1	Vertical adjustable bracket
3	1009203	1	Horizontal bracket
4	1009204	3	M 4 Screw
5	1009205	1	Base
6	1009206	1	Plastic Cover

8.2. 404EH



ITEM NO.	QTY.	PART NO.	DESCRIPTION
1	1	1009001	Junction Box Complete
2	1	1309003	Communication Cable
3	1	1009003	Sensor Cable (8 core)
4	4	1009002	Sensor (3 m)
5	9	1309005	Hirschmann, c/w Cable, screw & gland

7.2. EH Controller



ITEM	PART NO.	QUANTITY	DESCRIPTION
1	1209002	1	TW Control Unit
2	1209001		TW Faceplate RDS
3	1309009	1	2 pin connector Female + 2 spade pins
4	1309008	1	24 pin socket
5	1309009	1	Controller mounting bracket EH
6	1309012	1	Controller suction cup
	1309007		Battery Cable (3m)
	1309010		2 pin connector male + 2 female pins